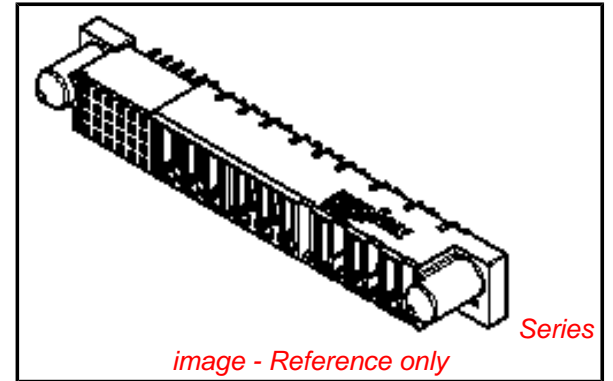


PLEASE CHECK WWW.MOLEX.COM FOR LATEST PART INFORMATION

Part Number: [0879253000](#)
Status: **Active**
Overview: [extreme_powerplus_ssi](#)
Description: 6.35mm (.250") Pitch, Power, 2.54mm (.100") Pitch, Signal, EXTreme PowerPlus™ Pa-S Receptacle, Press-fit, Vertical, 0.76µm (30µ") Gold (Au)Plating, 33 Circuits, Power Alpha 9, Signal 24, Recessed Power Pins A1, A2, A3, A4, A5, A6, A8, A9, Leadfree

Documents:

[3D Model](#) [Product Specification PS-87925-006 \(PDF\)](#)
[Drawing \(PDF\)](#) [RoHS Certificate of Compliance \(PDF\)](#)
[Product Specification PS-87633-006 \(PDF\)](#)



Agency Certification

UL E29179

General

Product Family PCB Receptacles
 Series [87925](#)
 Application Board-to-Board
 Comments Recessed Power Circuit Position: A1, A2, A3, A4, A5, A6, A8, A9
 Overview [extreme_powerplus_ssi](#)
 Product Name EXTreme PowerPlus™

Physical

Circuits (Loaded) 33
 Circuits Detail Power Alpha 9, signal 24
 Color - Resin Black
 Durability (mating cycles max) 100
 Flammability 94V-0
 Glow-Wire Compliant No
 Guide to Mating Part Yes
 Keying to Mating Part Yes
 Material - Metal Copper Alloy
 Material - Plating Mating Gold
 Material - Plating Termination Tin
 Material - Resin High Temperature Thermoplastic
 Number of Rows 4
 Orientation Vertical
 PC Tail Length (in) 0.135 In
 PC Tail Length (mm) 3.43 mm
 PCB Locator No
 PCB Retention Yes
 PCB Thickness Recommended (in) 0.093 In
 PCB Thickness Recommended (mm) 2.40 mm
 Packaging Type Tray
 Pitch - Mating Interface (in) 0.100 In, 0.250 In
 Pitch - Mating Interface (mm) 2.54 mm, 6.35 mm
 Plating min: Mating (µin) 30
 Plating min: Mating (µm) 0.76
 Plating min: Termination (µin) 100
 Plating min: Termination (µm) 2.54
 Polarized to Mating Part Yes
 Polarized to PCB Yes
 Temperature Range - Operating -20°C to +105°C
 Termination Interface: Style Through Hole - Compliant Pin

EU RoHS

ELV and RoHS Compliant
REACH SVHC Contains SVHC: No
Halogen-Free Status
Not Reviewed

China RoHS



Need more information on product environmental compliance?

Email productcompliance@molex.com
 For a multiple part number RoHS Certificate of Compliance, [click here](#)

Please visit the [Contact Us](#) section for any non-product compliance questions.

Search Parts in this Series
[87925Series](#)

Mates With
[87696](#) EXTreme PowerPlus™ Pa-S Header

Electrical

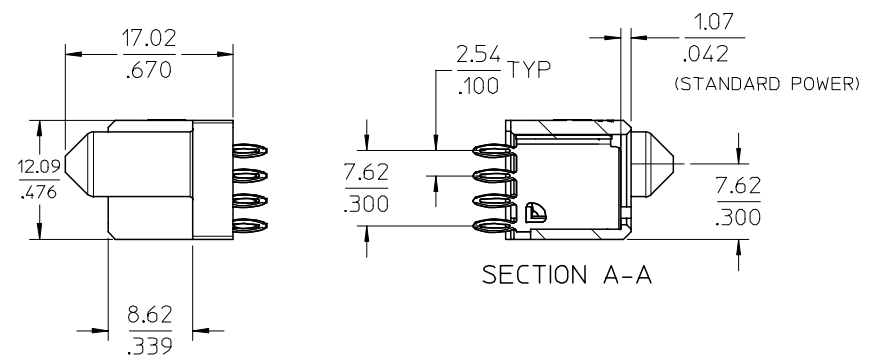
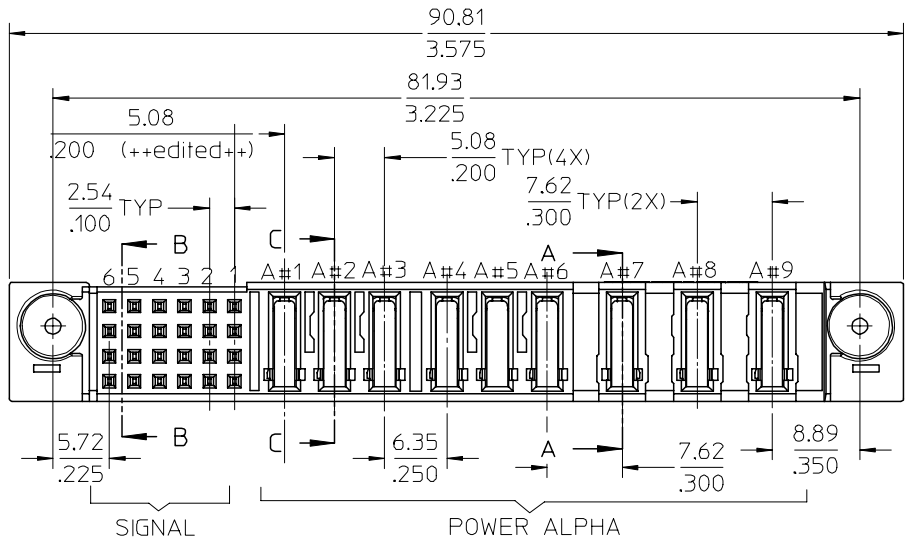
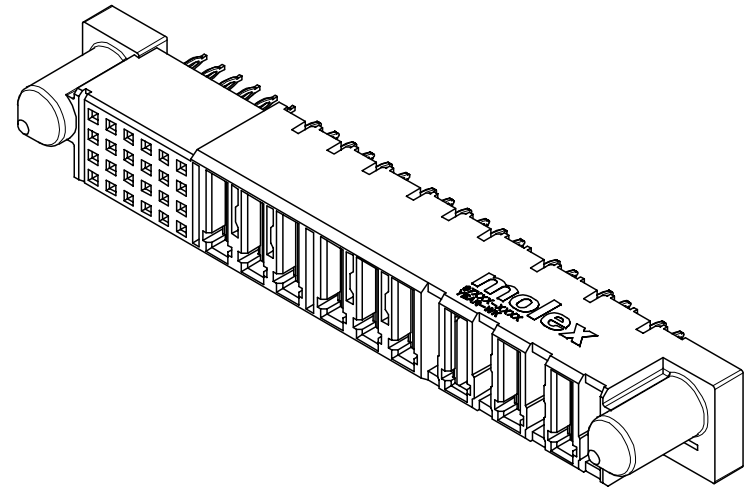
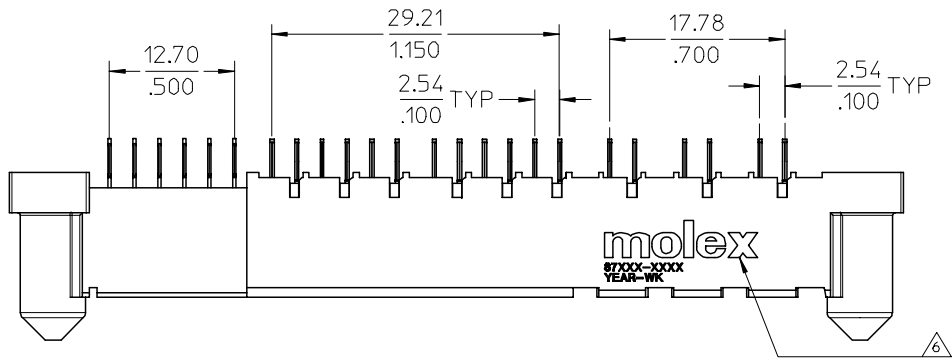
Current - Maximum per Contact 2.5A, 30A
Voltage - Maximum 50V DC

Material Info**Reference - Drawing Numbers**

Application Specification AS-87631-018, AS-87633-007
Product Specification PS-87633-006, PS-87925-006
Sales Drawing SD-87925-001

This document was generated on 05/22/2010

PLEASE CHECK WWW.MOLEX.COM FOR LATEST PART INFORMATION



OBS	TIN/LEAD P/N
EC NO:	S2007-0047
DRWN:	GEMENARLY 2006/07/28
CHKD:	M LONG 2006/07/28
APPR:	SK TOH 2006/07/31
REV	DESCRIPTION

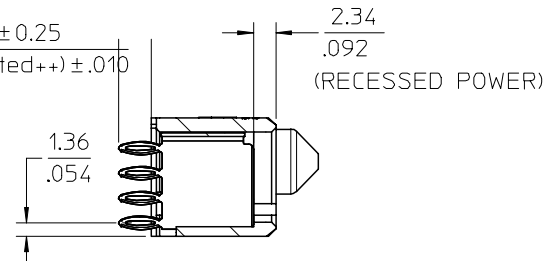
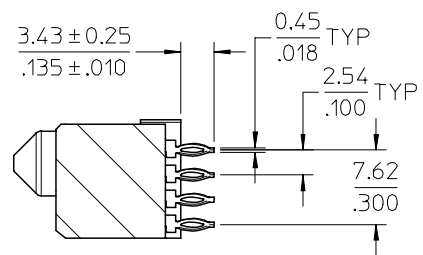
QUALITY SYMBOLS	▽=0
	△=0

GENERAL TOLERANCES (UNLESS SPECIFIED)	MM	INCH
4 PLACES	± .13	± .005
3 PLACES	± .13	± .005
2 PLACES	± 0.13	± .005
1 PLACE	± 0.25	± .010
ANGULAR ± 3 °		
DRAFT WHERE APPLICABLE MUST REMAIN WITHIN DIMENSIONS		

DIMENSION STYLE		MM/IN
DRAWN BY	DATE	TITLE
VLNRAO	2004/07/07	POWER CONN. RECEPTACLE P(A)-S CONFIGURATION VERTICAL PRESS-FIT
CHECKED BY	DATE	
BHLOW	2004/07/15	MOLEX INCORPORATED
APPROVED BY	DATE	
SCLOW	2004/07/20	
MATERIAL NO.	DOCUMENT NO.	SHEET NO.
	SD-87925-001	1 OF 2

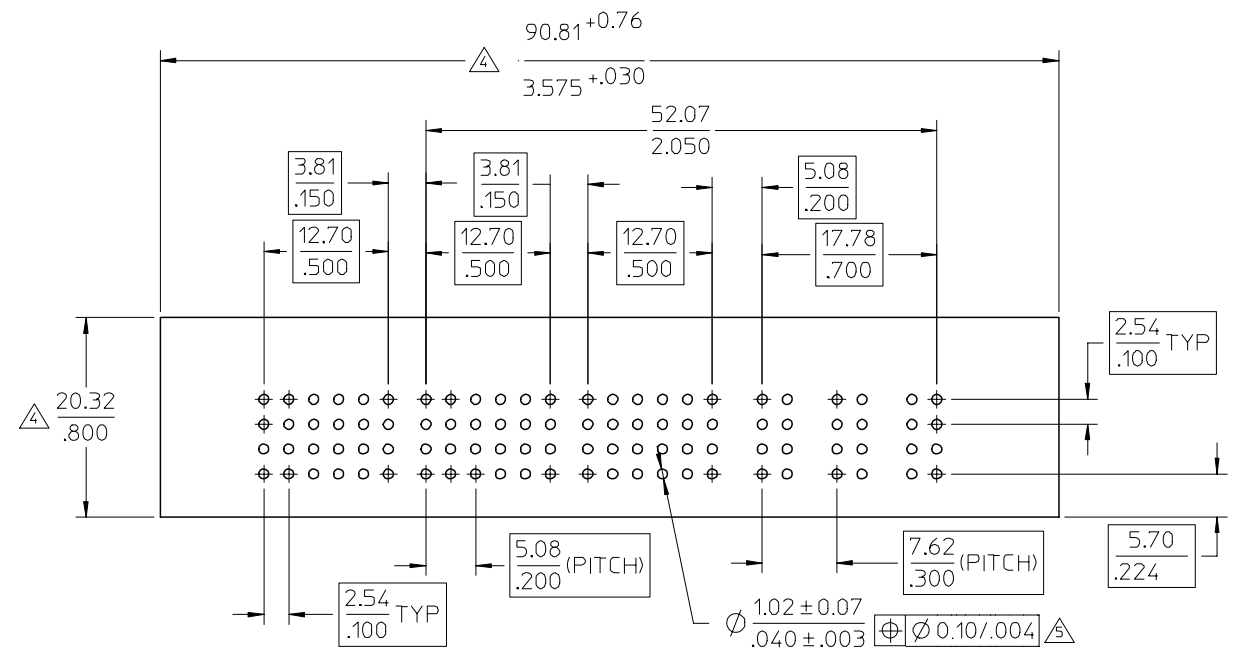
SCALE	DESIGN UNITS	THIRD ANGLE PROJECTION
NTS	METRIC	
MOLEX INCORPORATED		
THIS DRAWING CONTAINS INFORMATION THAT IS PROPRIETARY TO MOLEX INCORPORATED AND SHOULD NOT BE USED WITHOUT WRITTEN PERMISSION		

10	9	8	7	6	5	4	3	2	1
PART NUMBER	P-S CONFIGURATION		RECESSED POWER	PACKAGING					
	SIGNAL	POWER(ALPHA)	CIRCUIT		ALL EXCEPT A7	TRAY			
87925-3000	24	9							



SECTION B-B

SECTION C-C



CONNECTOR - NOTES

- MATERIALS :
HOUSING - HIGH TEMPERATURE THERMO-PLASTIC, GLASS FILLED, UL94-0,COLOR:BLACK.
SIGNAL PIN - COPPER ALLOY
POWER PIN - COPPER ALLOY
- FINISH :
SIGNAL & POWER CONTACTS
0.76 MICROMETER MINIMUM GOLD (Au) AT CONTACT AREA AND 2.54 MICROMETER MINIMUM TIN AT SOLDERTAIL AREA OVER 1.27um MIN, NICKEL (Ni) UNDERPLATE.
- PRODUCT SPECIFICATION: PS-87633-006.
- COMPONENT STAY AWAY ZONE FROM CONNECTOR.
- PCB NOTE FOR DIAMETER 1.02/.040 PLATED HOLE.
-DRILLED HOLE SIZE IS 1.151/.0453
-PLATE WITH 0.007/.0003 MINIMUM TIN OVER 0.03/.001 TO 0.08/.003 COPPER PLATING TO ACHIEVE 1.02±0.08/.040±.003 HOLE.
SEE SHEET 2 FOR RECOMMENDED PCB LAYOUT.
- MANUFACTURER LOGO,PART NUMBER AND YEAR-WEEK CODE.

OBS TIN/LEAD P/N EC NO: S2007-0047 DRWN:GMENARLY 2006/07/28 CHKD:MLONG 2006/07/28 APPR:SKTOH 2006/07/31	QUALITY SYMBOLS ▽=0 ▽=0	GENERAL TOLERANCES (UNLESS SPECIFIED)		DIMENSION STYLE MM/IN		SCALE NTS	DESIGN UNITS METRIC	THIRD ANGLE PROJECTION		
		4 PLACES ± --- ± ---	3 PLACES ± --- ± ---	2 PLACES ± 0.13 ± ---	1 PLACE ± 0.25 ± ---	ANGULAR ± 3 °	DRAWN BY VLNRAO	DATE 2004/07/07	TITLE POWER CONN. RECEPTACLE P(A)-S CONFIGURATION VERTICAL PRESS-FIT	
		DRAFT WHERE APPLICABLE MUST REMAIN WITHIN DIMENSIONS		SEE TABLE		APPROVED BY SCLW		DATE 2004/07/20	MOLEX INCORPORATED	
		MATERIAL NO.		DOCUMENT NO. SD-87925-001		SHEET NO. 2 OF 2		THIS DRAWING CONTAINS INFORMATION THAT IS PROPRIETARY TO MOLEX INCORPORATED AND SHOULD NOT BE USED WITHOUT WRITTEN PERMISSION		